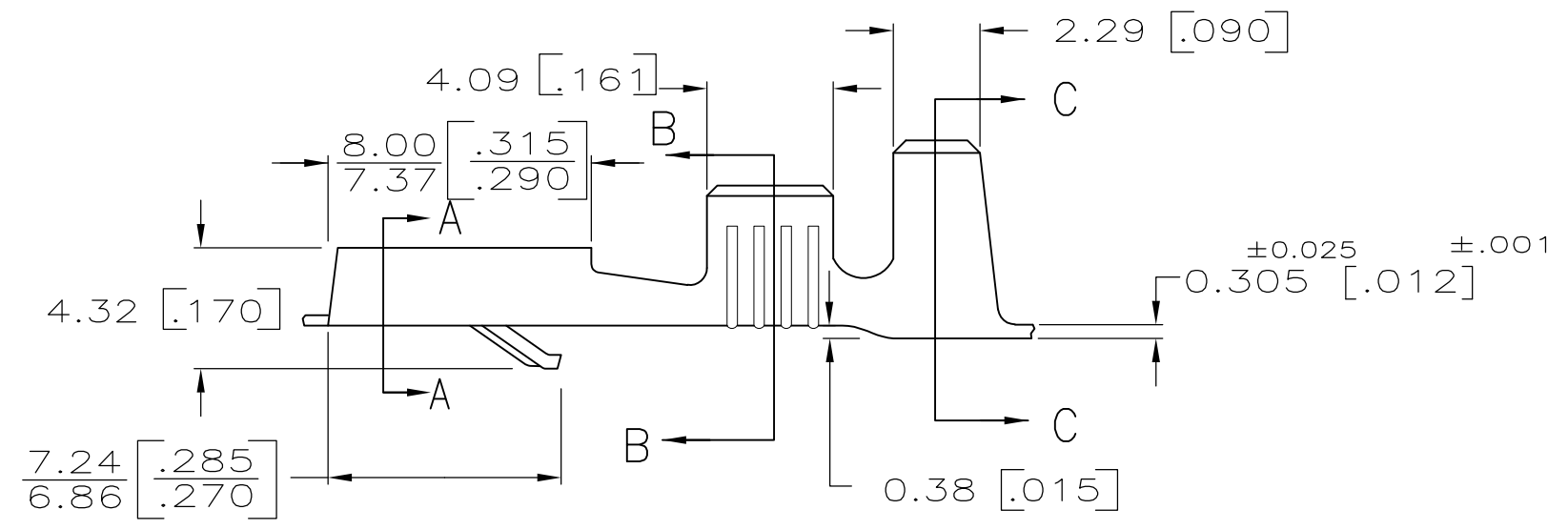
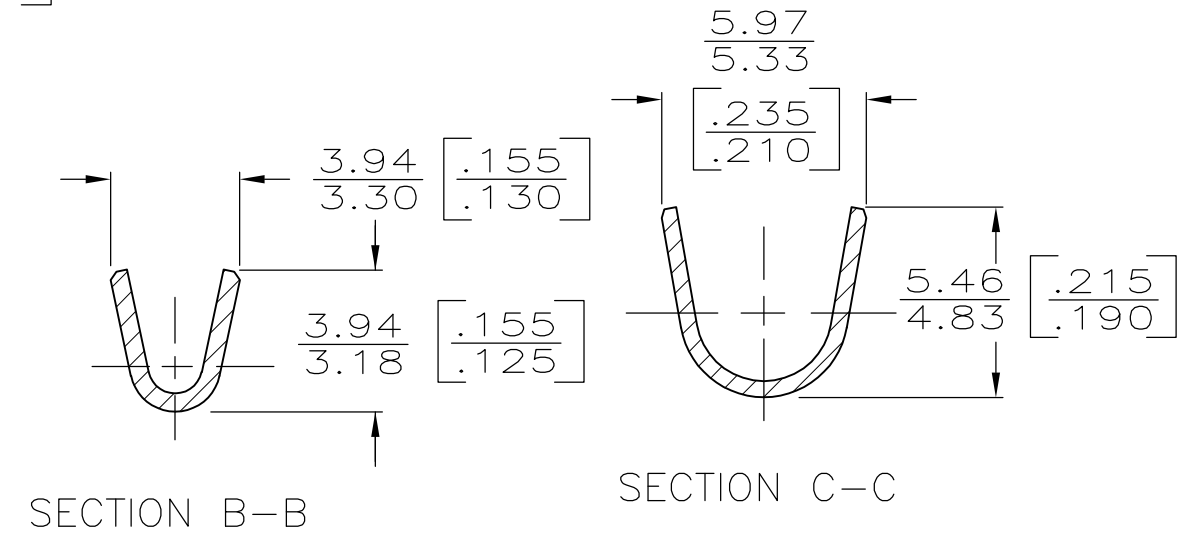
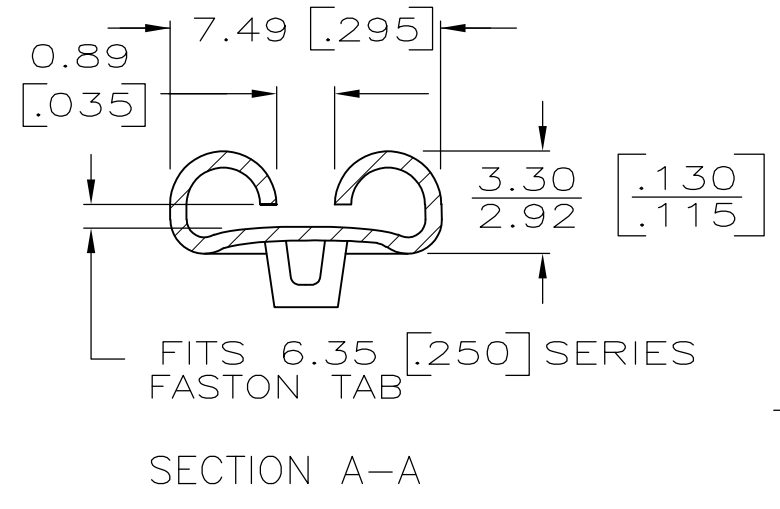
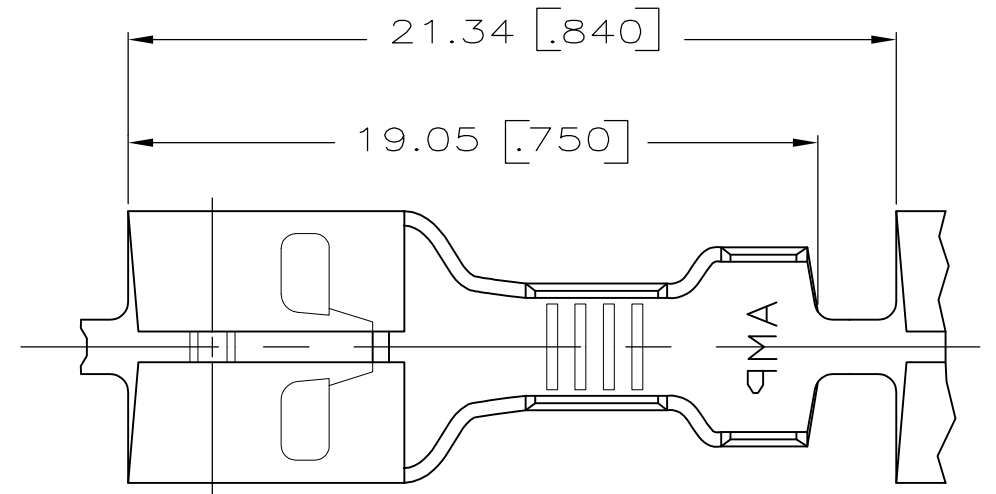


LOC	DIST	REVISIONS					
AF	50	P	LTR	DESCRIPTION	DATE	OWN	APVD
		AN2		REVISED PER ECO-11-004587	11MAR11	RK	HMR



- 1 DIMENSIONS IN BRACKETS ARE IN INCHES.
- 2 CONTINUOUS STRIP ON REELS.
- 3 FOR FOREIGN PRODUCTION ONLY.
- 4 NO RIB IN LOCKING LANCE.
- 5 NO STRESS RELIEVING
- 6 REELED WITH INTERLEAVING PAPER
- 8 OBSOLETE PARTS: OBSOLETE CIS STREAMLINING PER D.RENAUD/D.SINISI

△/4	---	TIN	#4H BRASS	2.54 - 4.32	0.8 - 2.0 mm <sup>2</sup>	±0.025	42100-9
△/3	---	TIN	#4H BRASS				
△/3	---	---	#4H BRASS	[.100 - .170]	[18 - 14]	0.81 [.032 ±.001]	2-42100-1
△/8	OBSOLETE	TIN	#4H BRASS				1-42100-2
△/8	OBSOLETE	1-42238-1	#4H BRASS	[.100 - .170]	[18 - 14]	0.81 [.032 ±.001]	1-42100-4
△/4	---	SILVER	#4H BRASS				42100-3
△/4	---	TIN	#4H BRASS	[.100 - .170]	[18 - 14]	0.81 [.032 ±.001]	42100-2
△/4	---	---	#4H BRASS				42100-1
	LOOSE PIECE	FINISH	MATERIAL	INSULATION RANGE	WIRE SIZE	TAB THK	PART NO

**METRIC**

THIS DRAWING IS A CONTROLLED DOCUMENT.

DWN	JR RUTH	2/5/88	TE Connectivity
CHK	MS FEHER	2/5/88	
APVD	C MEYERS	2/8/88	
DIMENSIONS: mm[INCHES]			NAME RECEPTACLE, FASTON-FASTON, .250 SERIES
TOLERANCES UNLESS OTHERWISE SPECIFIED: 0 PLC ± - 1 PLC ± - 2 PLC ± - 3 PLC ± 0.25 [.010] 4 PLC ± - ± - ANGLES ± - ± -			
MATERIAL SEE ABOVE			SIZE A2
FINISH SEE ABOVE			CAGE CODE 00779
CUSTOMER DRAWING			DRAWING NO 42100
WEIGHT -			RESTRICTED TO -
SCALE 5:1			SHEET 1 of 1
REV AN2			