

T10 SERIES

Solid-State On-Delay Timer

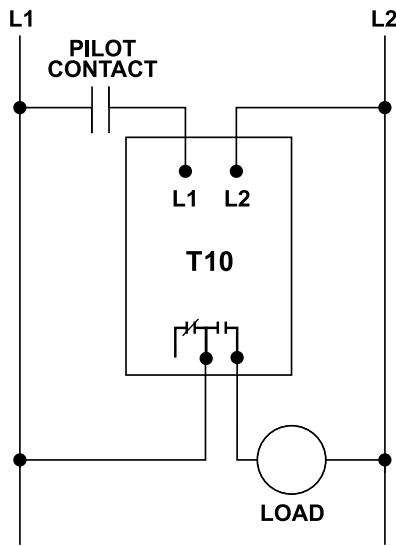


Description

The T10 Series on-delay timer is a solid-state electronic device that provides accurate and reliable timing for control circuits up to 460VAC. The T10 features a user-selectable time delay from 6 seconds to 10 minutes (0.5 to 12 seconds on the T10S400 model) and SPDT output contacts. When power is applied to the T10, it immediately begins its timing cycle. During this time, the indicator LED alternates between red and green and the output contacts remain inactive. When the timing cycle is complete, the indicator LED turns solid green and the output contacts are activated. The output contacts will remain activated until power is removed from the T10.

The SPDT contact ratings are 480V @ 240VAC on the 115V and 230V models, and 470VA @ 600VAC on the 460V model.

Wiring Diagram



Features & Benefits

- Status LED
- 600V control relay on 460V models

Specifications

Input Characteristics

Frequency 50*/60Hz

Functional Characteristics

Timing Range
T10100, T10200, T10400 6 seconds to 10 minutes
T10S400 0.5 seconds to 12 seconds

Repeat Accuracy ±1%

Output Characteristics

Output Contact Rating (SPDT)
Pilot Duty
T10100, T10200 480VA @ 240VAC
T10400, T10S400 470VA @ 600VAC

General Characteristics
Maximum Input Power 5 W

Terminal
Torque 7 in.-lbs.
Wire Size 12-18AWG

Safety Marks
UL UL508 (File #E68520)
Dimensions **H** 74.4 mm (2.93"); **W** 133.9 mm (5.27");
D 74.9 mm (2.95")

Weight 0.94 lb. (15.04 oz., 426.38 g)
Mounting Method #8 screws

*Note: 50Hz will increase all delay timers by 20%.

Ordering Information

MODEL	LINE VOLTAGE	DESCRIPTION
T10120	115VAC	0.1 to 10 minute range, 240 VAC rated output contacts
T10200	230VAC	0.1 to 10 minute range, 240 VAC rated output contacts
T10400	460VAC	0.1 to 10 minute range, 600 VAC rated output contacts
T10S400	460VAC	0.5 to 12 second range, 600 VAC rated output contacts