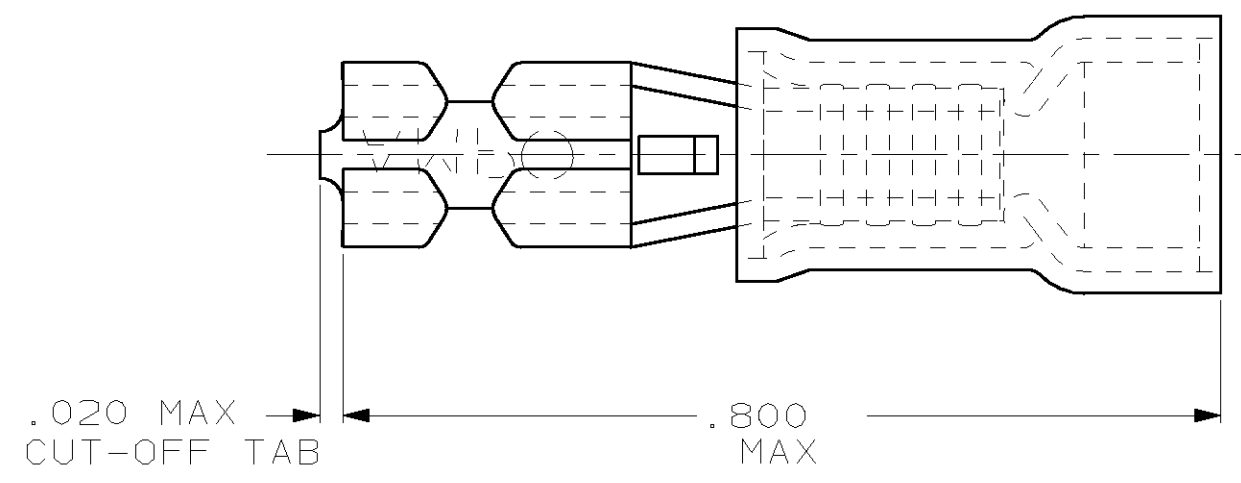
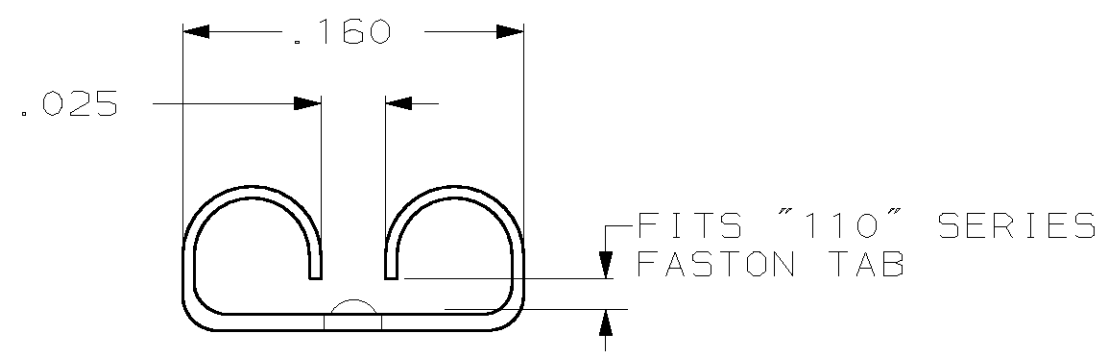
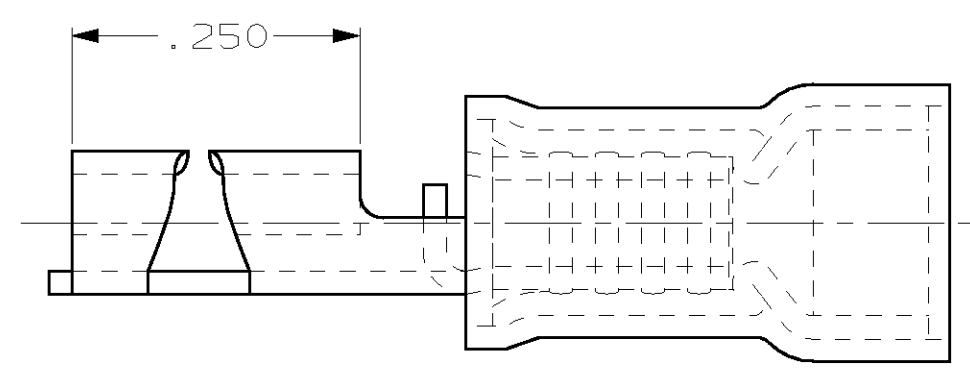


THIS DRAWING IS UNPUBLISHED. RELEASED FOR PUBLICATION, 19 .  
 © COPYRIGHT 19 BY AMP INCORPORATED. ALL RIGHTS RESERVED.

LOC		DIST		REVISIONS			
P	LTR	DESCRIPTION		DATE	DWN	APVD	
G	14	G		REV EPR 0G3A-0176-02	08APR02	JR	TM



- 1. INSULATION DIA  
.170 MAX
- 2. FITS TAB .016 THK



QTY	PACKAGE TYPE	PART NO
-	TAPE MOUNTED	640927-2
-	LOOSE PIECE	640927-1

AMP INCORPORATED CUSTOMER SERVICE SYSTEM		MAX RECOMMENDED OPERATING TEMPERATURE: -	THIS DRAWING IS A CONTROLLED DOCUMENT FOR AMP INCORPORATED. IT IS SUBJECT TO CHANGE AND THE CONTROLLING ENGINEERING ORGANIZATION SHOULD BE CONTACTED FOR THE LATEST REVISION.		DWN L OLMEDA 13NOV95	<b>AMP</b> AMP Incorporated Harrisburg, PA 17105-3608
FOR ADDITIONAL PRODUCT INFORMATION OR COPIES OF DRAWINGS AND TECHNICAL DOCUMENTS	PRODUCT INFORMATION CENTER 1-800-522-6752	VOLTAGE RATING: -	DIMENSIONS: INCHES	TOLERANCES UNLESS OTHERWISE SPECIFIED: 0 PLC ±- 1 PLC ±- 2 PLC ±.015 3 PLC ±- 4 PLC ±- ANGLES ±-	CHK M ELLIS 15NOV95	
FOR APPLICATION TOOLING INFORMATION	TOOLING ASSISTANCE CENTER 1-800-722-1111	CIRCULAR MIL AREA: -	MATERIAL BODY, BRASS .016 SLV, NYLON, COLOR, BLUE		APVD B BARE 15NOV95	SIZE A3
FOR ORDER ENTRY	1-800-526-5142		FINISH BODY, PRE-TIN		PRODUCT SPEC -	CAGE CODE 00779
AMP 1470-19 REV 09MAY94			CUSTOMER DRAWING		APPLICATION SPEC -	DRAWING NO C-640927
					WEIGHT -	SCALE NT5
						SHEET 1 OF 1
						REV G