



© 2016 AFCl



Amphenol
FCI



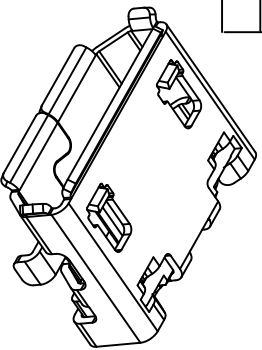
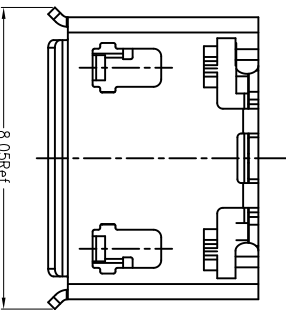
31



4

PART NUMBER
10118194-0X0XL F

Item	Title	Q'TY
1	Shell	1
2	Terminal	5
3	Insert/Molding	1



PRODUCT NUMBER DESCRIPTION
10118194- X X X X L F

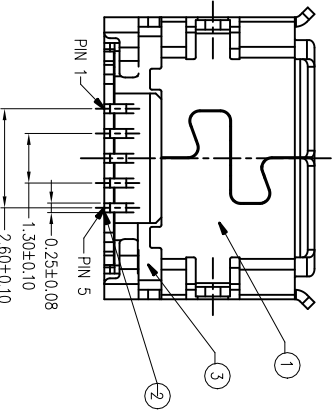
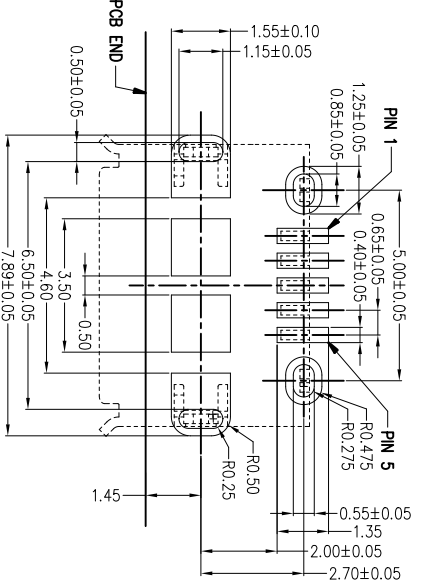
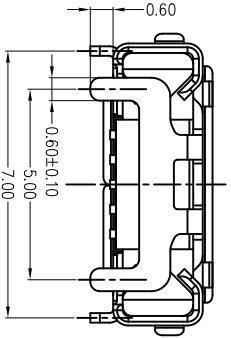
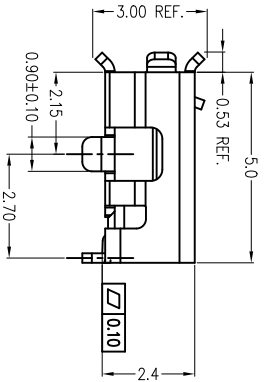
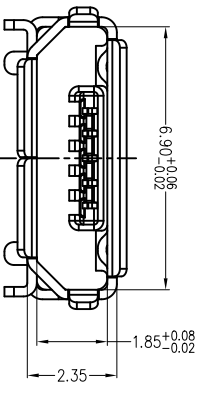
1-CONTACT AREA: 0.76um AU
2-CONTACT AREA: GOLD FLASH

0-WITH FLANGE SEE SHEET 1
0-WITHOUT FLANGE SEE SHEET 2

0-PLASTIC REEL

0-CARDBOARD REEL

0-COLD SEALING
1-HOT SEALING



tr	ecn	no	dr	date	surface	tolerance	projection	product family
A	B	C	D	eng	chr <th>eng</th> <th>chr <th>type</th> </th>	eng	chr <th>type</th>	type
LS	10/21/11	ASME Y14.5	ASME Y14.5	ASME Y14.5	ASME Y14.5	ASME Y14.5	ASME Y14.5	HP_L_511
LS	3/11/16	XXX.038	XXX.025	XXX±0.10	XXX±0.10	XXX±0.10	XXX±0.10	MICRO USB B TYPE RECEPTACLE
LZ	9/29/16	X±.2	X±.2	X±.2	X±.2	X±.2	X±.2	10118194
LZ	05/16/17	JASON_HSU	JASON_HSU	JASON_HSU	JASON_HSU	JASON_HSU	JASON_HSU	sheet of 2 size
LZ	05/21/11	JASON_HSU	JASON_HSU	JASON_HSU	JASON_HSU	JASON_HSU	JASON_HSU	A4
LZ	05/21/11	GARY_HSEH	GARY_HSEH	GARY_HSEH	GARY_HSEH	GARY_HSEH	GARY_HSEH	Product Customer Drawing
sheet	revision	D						
index	sheet	1						

form: A4mmXlc-2016-02-24

1

2

3

4

B

A

B

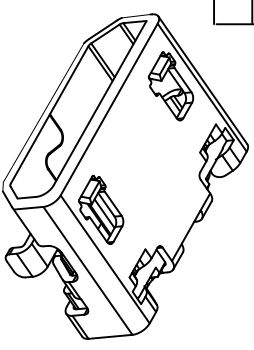
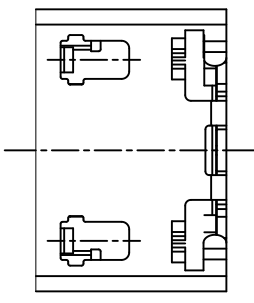
A

5

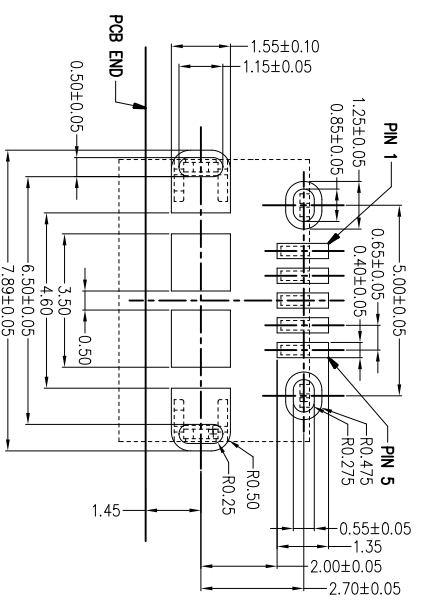
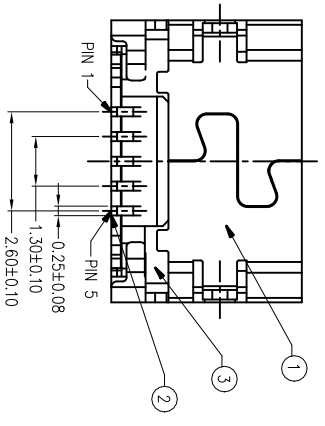
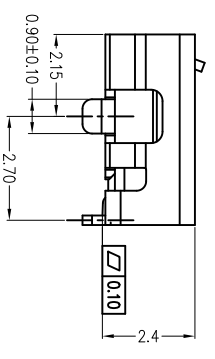
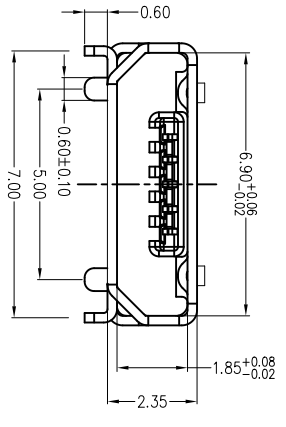


PART NUMBER
10118194-0X1XLF

Item	Title	Q'TY
1	Shell	1
2	Terminal	5
3	InsertMolding	1



- NOTES:
- MATERIAL:
HOUSING: HIGH THERMOPLASTIC RESIN, UL94V-0, COLOR: BLACK
TERMINAL: COPPER ALLOY
SHELL: STAINLESS STEEL WITH FLANGE OR WITHOUT FLANGE
 - FINISH:
CONTACT AREA: SEE PRODUCT MEMBER DESCRIPTION
CONTACT SOLDER AREA: GOLD FLASH
SHELL: MATTE TIN PLATED
- TYPE
UNDER NICKEL PLATED ALL OVER.
PRODUCT SPECIFICATION: GS-12-64I.
PACKAGING SPECIFICATION: GS-14-2180.
THE "LF" MEANS FOR LEAD FREE AND CAN WITHSTAND EXPOSE TO 260°C PEAK TEMPERATURE FOR 10 SECONDS IN IR REFLOW PROCESS.



REFERENCE PCB LAYOUT

mat'l. code	surface	tolerance	projection	product family
	ASME Y14.5	ASME Y14.5		HPL_511
tr	ecn	no	dr	date
tolerances unless otherwise specified				
D	angle	SD	X40.38	
	angle	SD	.XX±0.25	
	X.F.2		.XXX±0.10	
dr	JASON_JSU	05/21/11		
eng	JASON_JSU	05/21/11		
chr	JASON_JSU	05/21/11		
dpdp	GARY_HSEH	05/21/11		
sheet	revision	D		
index	sheet	2		
title				MICRO USB B TYPE RECEPTACLE
dwg no				10118194
sheet				2 of 2
type				Product Customer Drawing