

# All-4-One™ International Transformers

## Chassis Mount with Lead Wires



International Standards at Lower Cost and Better Performance



Designed to provide the high isolation, creepage and clearance necessary to comply with international safety standards.

### General Specifications

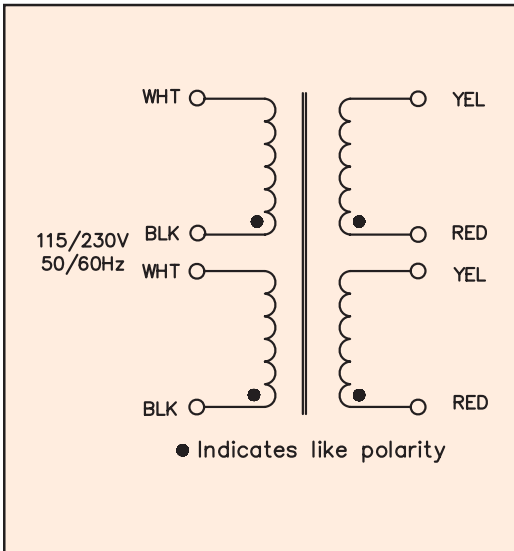
- Power - 25 VA to 175 VA
- Dielectric Strength - 4000 VRMS Hipot
- Primaries - Dual primaries (115/230 V - 50/60 Hz)
- Dual Secondaries - Series or parallel
- Leakage - Current meets UL 60601-1, IEC/EN 60601-1
- Insulation - Class F (155° C)
- Flammability Rating - Bobbin and shroud material meet UL 94-V0

### Agency Certifications

- UL 1446 E66312
- Recognized to UL 506 / UL 5085-2, CSA 22.2, No. 66-1 / 5085 File # E63829
- VDE certified to VDE 0805 / EN 60950, Reg-Nr-1448



Part Number	VA Size	Secondary RMS Rating		Lead Wire Gauge Secondary
		Series	Parallel	
A41-25-10L	25	10.0 VCT @ 2.5A	5.0V @ 5.0A	18AWG
A41-43-10L	43	10.0 VCT @ 4.3A	5.0V @ 8.6A	18AWG
A41-80-10L	80	10.0 VCT @ 8.0A	5.0V @ 16.0A	18AWG
A41-130-10L	130	10.0 VCT @ 13.0A	5.0V @ 26.0A	16AWG
A41-175-10L	175	10.0 VCT @ 17.5A	5.0V @ 35.0A	16AWG
A41-25-12L	25	12.6 VCT @ 2.0A	6.3V @ 4.0A	18AWG
A41-43-12L	43	12.6 VCT @ 3.4A	6.3V @ 6.8A	18AWG
A41-80-12L	80	12.6 VCT @ 6.3A	6.3V @ 12.6A	18AWG
A41-130-12L	130	12.6 VCT @ 10.3A	6.3V @ 20.6A	16AWG
A41-175-12L	175	12.6 VCT @ 14.0A	6.3V @ 28.0A	16AWG
A41-25-16L	25	16.0 VCT @ 1.6A	8.0V @ 3.2A	18AWG
A41-43-16L	43	16.0 VCT @ 2.7A	8.0V @ 5.4A	18AWG
A41-80-16L	80	16.0 VCT @ 5.0A	8.0V @ 10.0A	18AWG
A41-130-16L	130	16.0 VCT @ 8.1A	8.0V @ 16.2A	16AWG
A41-175-16L	175	16.0 VCT @ 11.0A	8.0V @ 22.0A	16AWG
A41-25-20L	25	20.0 VCT @ 1.25A	10 V @ 2.5A	18AWG
A41-43-20L	43	20.0 VCT @ 2.2A	10 V @ 4.4A	18AWG
A41-80-20L	80	20.0 VCT @ 4.0A	10 V @ 8.0A	18AWG
A41-130-20L	130	20.0 VCT @ 6.5A	10 V @ 13.0A	16AWG
A41-175-20L	175	20.0 VCT @ 8.8A	10 V @ 17.6A	16AWG
A41-25-24L	25	24.0 VCT @ 1.0A	12 V @ 2.0A	18AWG
A41-43-24L	43	24.0 VCT @ 1.8A	12 V @ 3.6A	18AWG
A41-80-24L	80	24.0 VCT @ 3.3A	12 V @ 6.6A	18AWG
A41-130-24L	130	24.0 VCT @ 5.4A	12 V @ 10.8A	18AWG
A41-175-24L	175	24.0 VCT @ 7.3A	12 V @ 14.6A	18AWG
A41-25-28L	25	28.0 VCT @ 0.9A	14 V @ 1.86A	18AWG
A41-43-28L	43	28.0 VCT @ 1.5A	14 V @ 3.0A	18AWG
A41-80-28L	80	28.0 VCT @ 2.8A	14 V @ 5.6A	18AWG
A41-130-28L	130	28.0 VCT @ 4.6A	14 V @ 9.2A	18AWG
A41-175-28L	175	28.0 VCT @ 6.25A	14 V @ 12.5A	18AWG
A41-25-36L	25	36.0 VCT @ 0.7A	18 V @ 1.4A	18AWG
A41-43-36L	43	36.0 VCT @ 1.2A	18 V @ 2.4A	18AWG
A41-80-36L	80	36.0 VCT @ 2.2A	18 V @ 4.4A	18AWG
A41-130-36L	130	36.0 VCT @ 3.6A	18 V @ 7.2A	18AWG
A41-175-36L	175	36.0 VCT @ 4.8A	18 V @ 9.6A	18AWG
A41-25-230L	25	230 VCT @ 0.11A	115V @ 0.22A	18AWG
A41-43-230L	43	230 VCT @ 0.19A	115V @ 0.38A	18AWG
A41-80-230L	80	230 VCT @ 0.35A	115V @ 0.7A	18AWG
A41-130-230L	130	230 VCT @ 0.57A	115V @ 1.14A	18AWG
A41-175-230L	175	230 VCT @ 0.76A	115V @ 1.52A	18AWG



### Lead Wires

- Hook up lead wire style UL1015, CSA TEW
- Rated 600V -40° to +105° C
- Passes UL VW-1 (flame test)
- All primary lead wires are 18AWG UL 1015
- All lead wires are 12" in length

Custom versions available upon request.

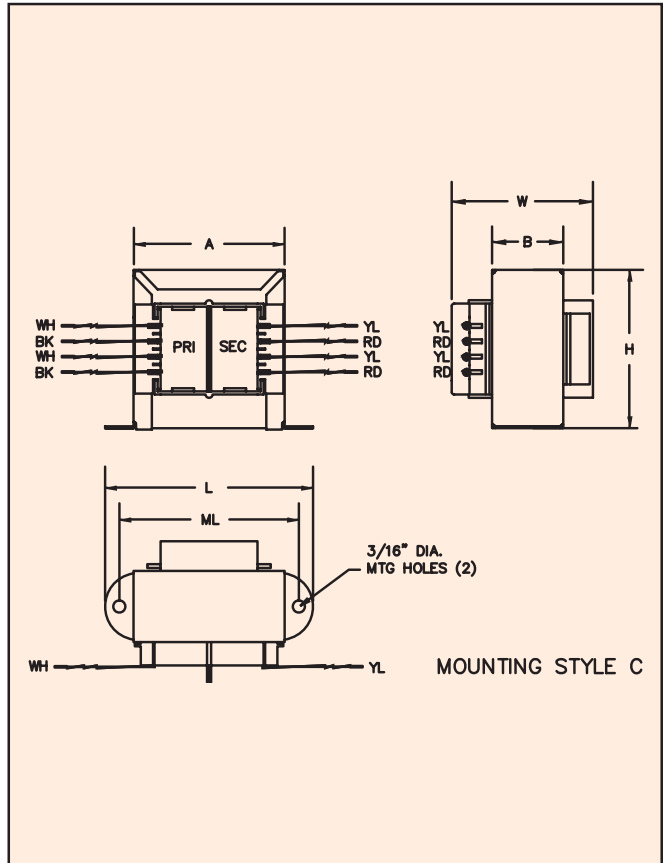
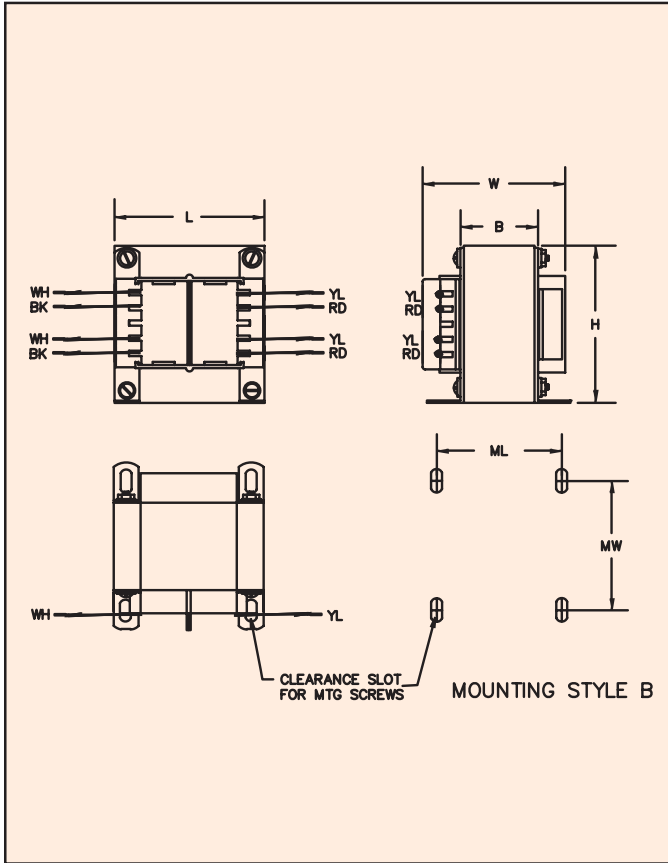
©2008 Signal Transformer — Specification subject to change without notice. 07.08

# All-4-One™ International Transformers

## Chassis Mount with Lead Wires



International Standards at Lower Cost and Better Performance



VA	Dimensions					Lead Wire Length Inches (mm) Standard	Mounting Style	Mounting Dimensions		Mounting Screw	Weight lbs (kg)
	L	W	H	A	B			ML	MW		
Size	Inches (mm)										
25	2.81 (71.4)	2.14 (54.4)	2.31 (58.7)	2.00 (50.8)	1.12 (28.6)	12.0 (304.80)	C	2.37 (60.3)	-	#6	1.25 lbs (0.57)
43	3.12 (79.4)	2.14 (54.4)	2.68 (68.2)	2.25 (57.2)	1.12 (28.6)	12.0 (304.80)	C	2.81 (71.4)	-	#6	1.6 lbs (0.73)
80	2.50 (63.5)	2.52 (64.3)	3.00 (76.2)	-	1.37 (35.0)	12.0 (304.80)	B	2.00 (50.8)	2.18 (55.5)	#6	2.8 lbs (1.27)
130	2.81 (71.4)	3.00 (76.2)	3.37 (85.7)	-	1.62 (41.3)	12.0 (304.80)	B	2.25 (57.2)	2.50 (63.5)	#8	4.1 lbs (1.86)
175	3.12 (79.4)	3.14 (79.7)	3.75 (95.3)	-	1.62 (41.3)	12.0 (304.80)	B	2.50 (63.5)	2.50 (63.5)	#8	5.5 lbs (2.49)

Custom versions available upon request.

©2008 Signal Transformer — Specification subject to change without notice. 07.08



500 Bayview Avenue, Inwood, NY 11096  
 Toll Free 866-239-5777 • Tel 516-239-5777 • Fax 516-239-7208  
 sales@signaltransformer.com • techhelp@signaltransformer.com