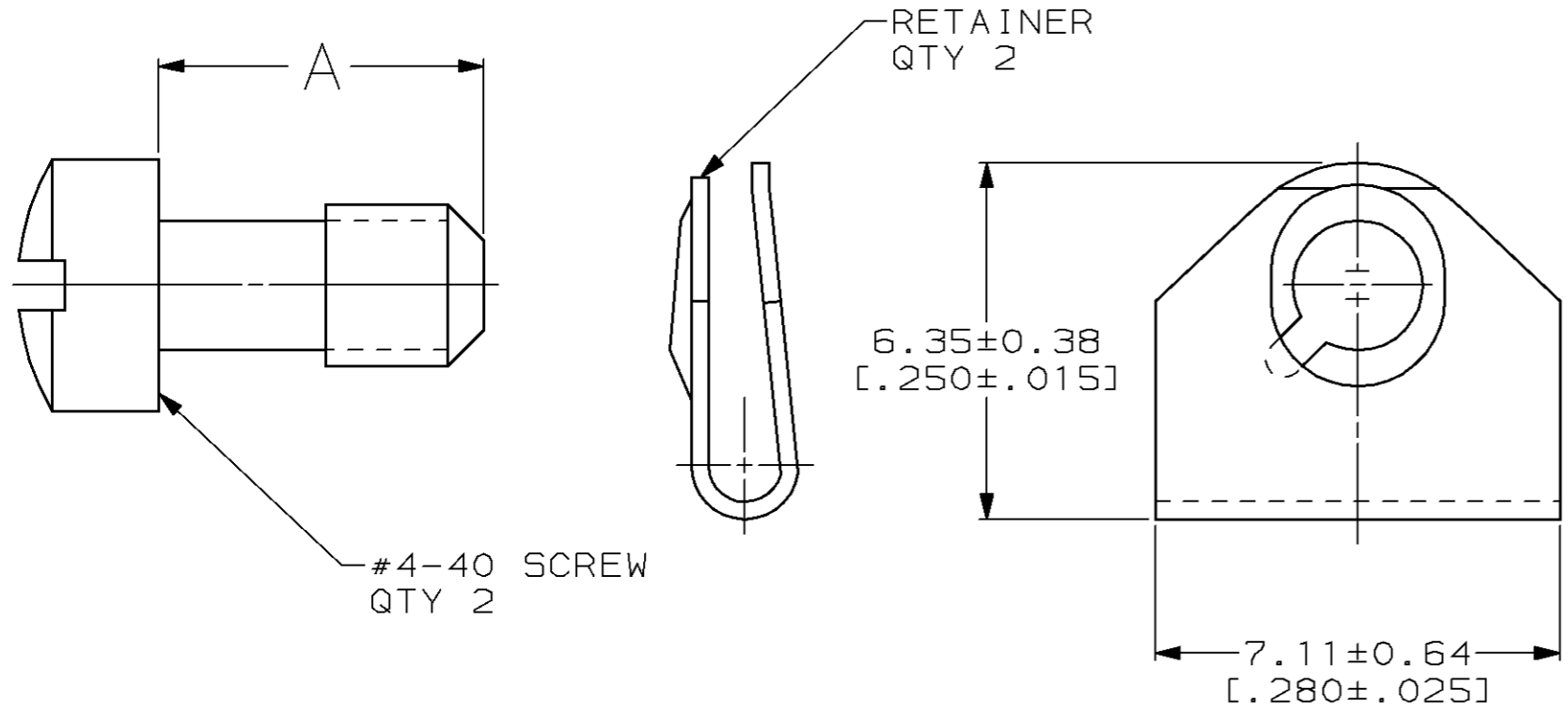
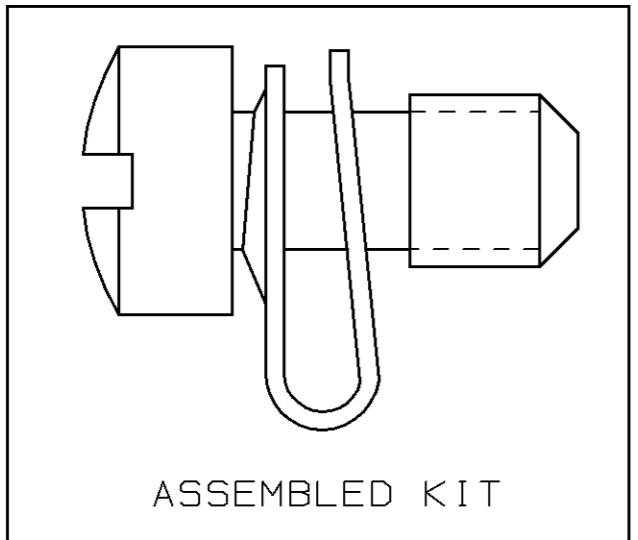


THIS DRAWING IS UNPUBLISHED. RELEASED FOR PUBLICATION, 19 .
 © COPYRIGHT 19 BY AMP INCORPORATED. ALL INTERNATIONAL RIGHTS RESERVED.

LOC	DIST	P	F	REVISIONS				
				ZONE	LTR	DESCRIPTION	DATE	APPD
BD	48				L	REDRAWN & REV PER ECN BD3729	3-8-90	-
					M	REV PER ECN BD4276	12/10/90	-
					M1	ADDED -6 PER NPR 4839	07/07/93	NB
					N	OBS -6 PER EC 0420-141-96	17 SEPT 97	SB



1. PARTS PACKAGED UNASSEMBLED.
2. STAINLESS STEEL PER ASTM A666.
3. PACKAGING MARKED WITH AMP, PART NO & DATE CODE.
4. 3.81 μm [.000150] MIN ZINC PLATED PER ASTM B633, TYPE II, CLASS SC1, YELLOW CHROMATE.
5. 3.81 μm [.000150] MIN ZINC PLATED PER ASTM B633, TYPE III, CLASS SC1, CLEAR CHROMATE.
6. PARTS INDIVIDUALLY BULK PACKED AND SHIPPED AS A UNIT PACKAGE.
7. PARTS PACKAGED AS A UNIT KIT.
8. SMALL PACK PACKAGING.



OBSOLETE	3	8	4	5.59±0.25 [.220±.010]	205980-6
	3	6	5	5.59±0.25 [.220±.010]	205980-5
	3	7	5	5.59±0.25 [.220±.010]	205980-4
	3	6	4	5.59±0.25 [.220±.010]	205980-3
OBSOLETE	3	7	4	4.78±0.38 [.188±.015]	205980-2
	3	7	4	5.59±0.25 [.220±.010]	205980-1
	MARKING	PACKAGING	SCREW FINISH	A	PART NO

METRIC

DO NOT SCALE PRINT. UNLESS SPECIFIED DIMENSIONS IN mm [INCHES] TOLERANCES ON: 2 PLC DEC ± 0.13 [.005] 3 PLC DEC ± - ANGLES ± -		DR 3/8/90 B. NOYER	AMP INCORPORATED Harrisburg, Pa. 17105
MATERIAL SCREWS: CARBON STEEL RETAINERS: 2		CHK 3-9-90 W.G. LENKER	
FINISH SCREWS: SEE TABLE		APPD 3-23-90 B. TAYLOR	NAME KIT, SCREW RETAINER
		APPD 3-23-90 J. ASSINI	SIZE B
		PRODUCT SPEC -	CAGE CODE 00779
		APPLICATION SPEC -	DRAWING NO 205980
		WEIGHT -	SCALE 8:1
			SHEET 1 OF 1