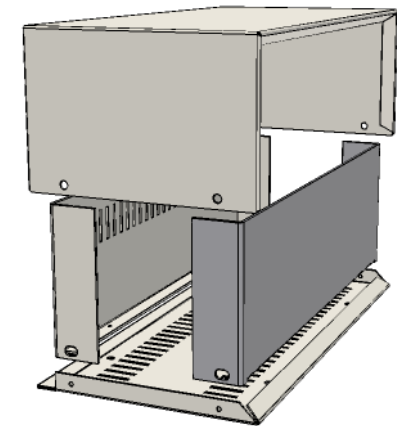
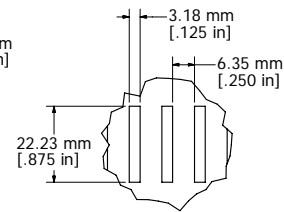
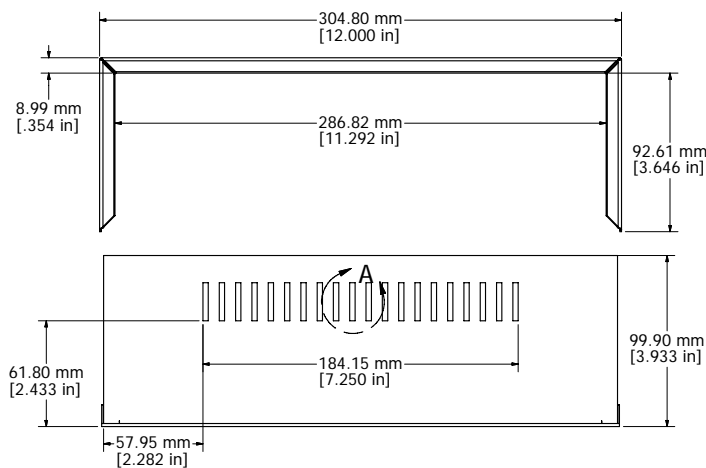
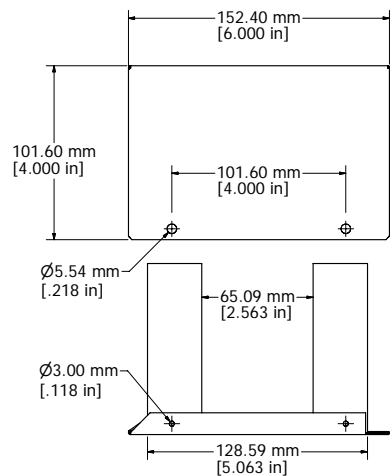
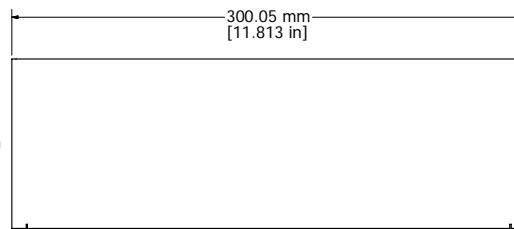
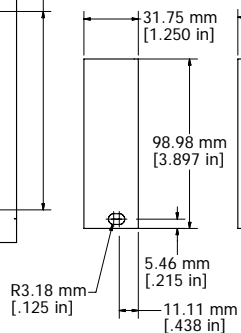
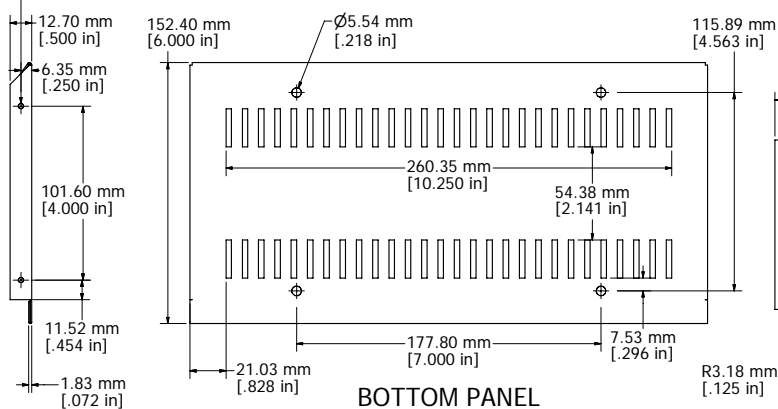
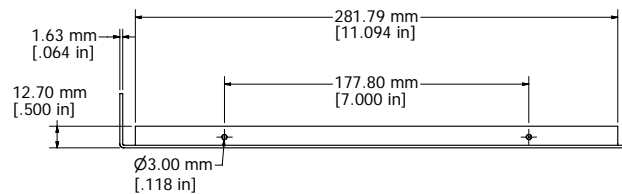
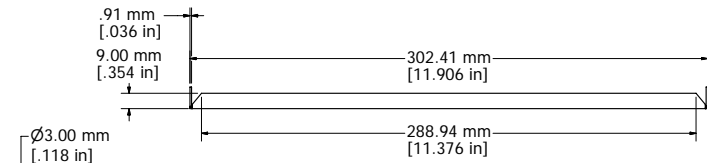


8 7 6 5 4 3 2 1



ASSEMBLY - SIDE VIEW EXPLODED

ASSEMBLY - REAR VIEW EXPLODED



Enclosures can be Factory Modified (Milling, Drilling, Printing etc.)
 Contact Factory mjm@hammondmfg.com for quotes
 Solid models of this enclosure available in STEP or IGES.

1426S / 1426S-B	
1426S - Case/Rear Panel Off White	
1426S-B - Case/Rear Panel Satin Blue	
Screws / Feet	
Screws	4 - 6-32 x 1/4 self tapping
Feet	4 - Self Adhesive Rubber Feet
Replacement Screws	1421J6
Replacement Rubber Feet	1421T9

HAMMOND MANUFACTURING™

1426S/1426S-B

www.hammondmfg.com

8 7 6 5 4 3 2 1